

DSP 9000 WHEEL BALANCER
MODELS 9001, 9002, 9003
SEE REVERSE SIDE FOR PARTS DESCRIPTION LISTING

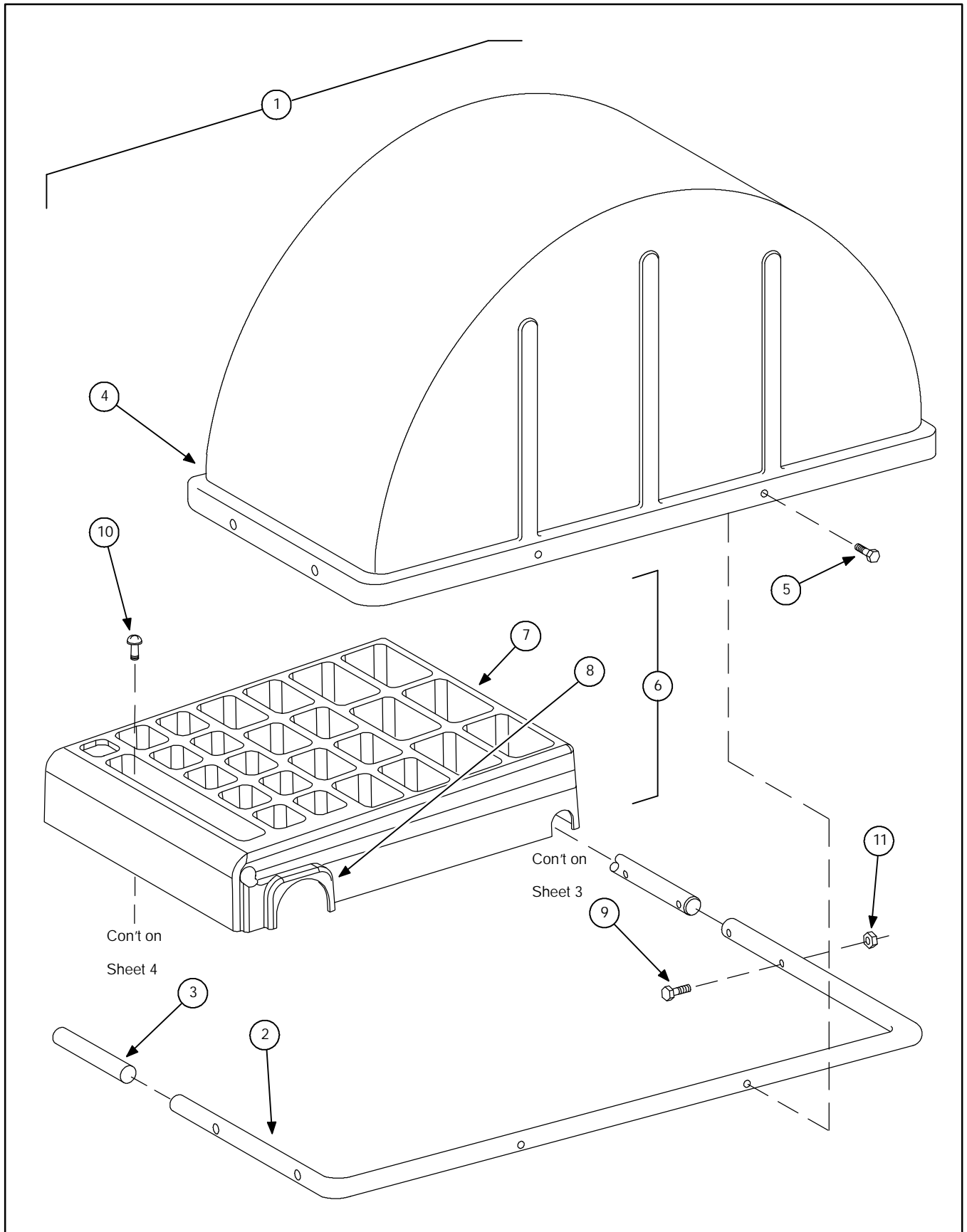
PARTS DESCRIPTION LISTING

INDEX NO.	PART NUMBER	DESCRIPTION	QTY. PER ASS'Y
A B C D E	<p>DSP 9001 BALANCER 115V/1- PH. DSP 9002 BALANCER 230V/1- PH. DSP 9003 BALANCER 230V/3- PH.</p> <p>WHEEL COVER ASSEMBLY & WEIGHT TRAY ASSEMBLY (Sheet 2) MANUAL DATA SET ASSEMBLY (Sheet 3) HOUSING ASSEMBLY (Sheet 4) SPINDLE 2- START SHAFT ASSEMBLY (Sheet 5) DISPLAY CONSOLE (Sheet 6)</p>		

*nnn - Paint Code Required



11250 HUNTER DRIVE · BRIDGETON · MISSOURI 63044

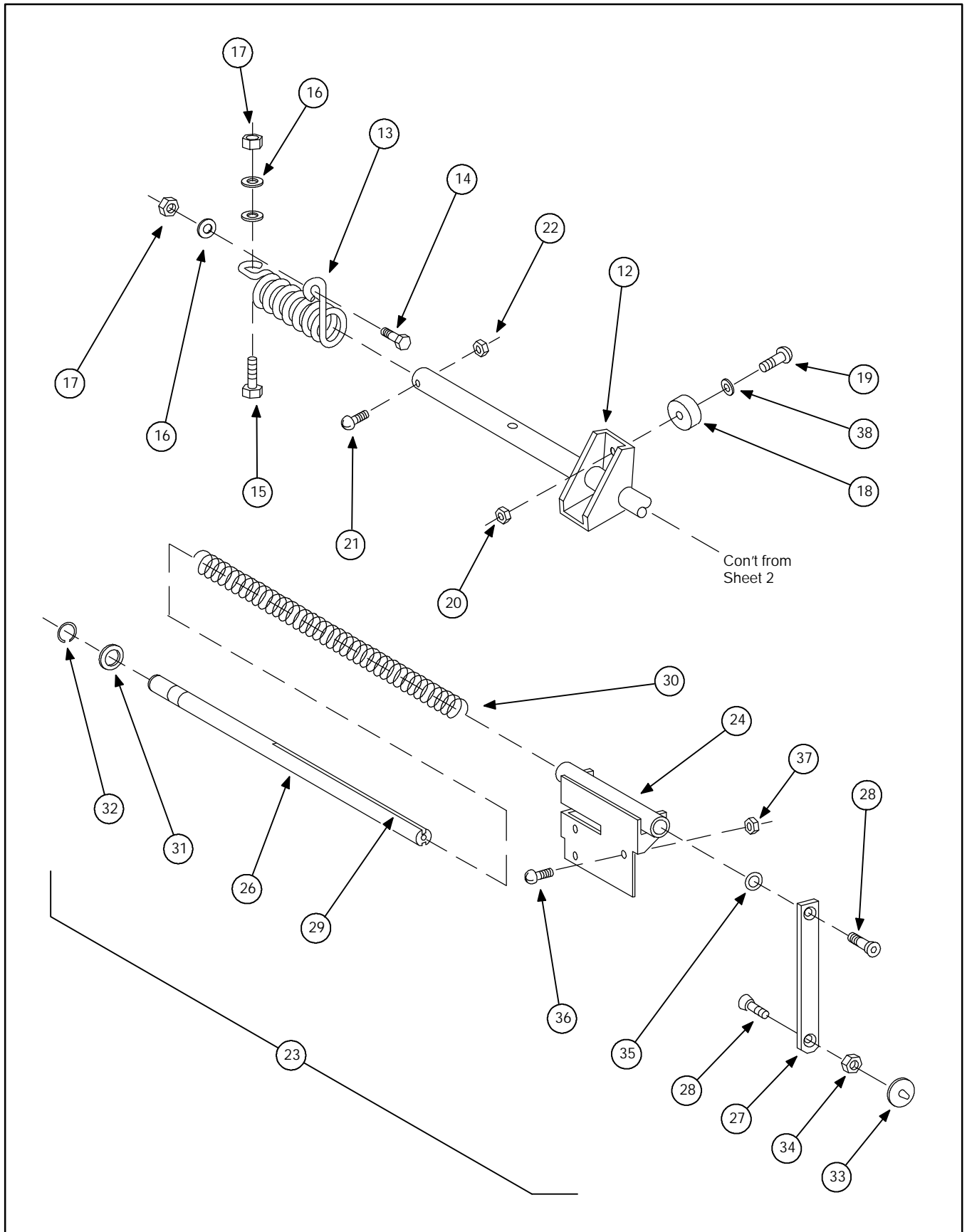


DSP 9000 WHEEL BALANCER
MODELS 9001, 9002, 9003
SEE REVERSE SIDE FOR PARTS DESCRIPTION LISTING

PARTS DESCRIPTION LISTING

INDEX NO.	PART NUMBER	DESCRIPTION	QTY. PER ASS'Y
1	69- 692- 1	COVER ASSEMBLY, WHEEL DSP (Consisting Of:)	1
2	.. 16- 441- 2	SHROUD, SUPPORT DSP	1
3	.. 57- 503	BAR, WHEEL COVER	1
4	.. 69- 680- 2	COVER, WHEEL	1
5	.. 75- 340- 2	SCREW- STP 1/4- 14x3/4 PR TPB BO	6
	105- 171- 1	HOUSING ASSEMBLY, DSP 9001 115V/1- PH. (Consisting Of:)	1
	or 105- 181- 1	HOUSING ASSEMBLY, DSP 9002 230V/1- PH. (Consisting Of:)	1
	or 105- 193- 1	HOUSING ASSEMBLY, DSP 9003 230V/3- PH. (Consisting Of:)	1
6	.. 69- 694- 1	WEIGHT TRAY ASSEMBLY (Consisting Of:)	1
7 69- 669- 2	COVER, WEIGHT TRAY HOUSING	1
8 69- 684	COVER, HOUSING	1
9	.. 74- 301- 2	HHCS 3/8- 16x1 3/4 GR5 ZP	2
10	.. 75- 312- 2	THMS 10- 32x12 PR BO	1
11	.. 76- 18- 2	NUT, GRIP 3/8- 16	2

*nnn - Paint Code Required

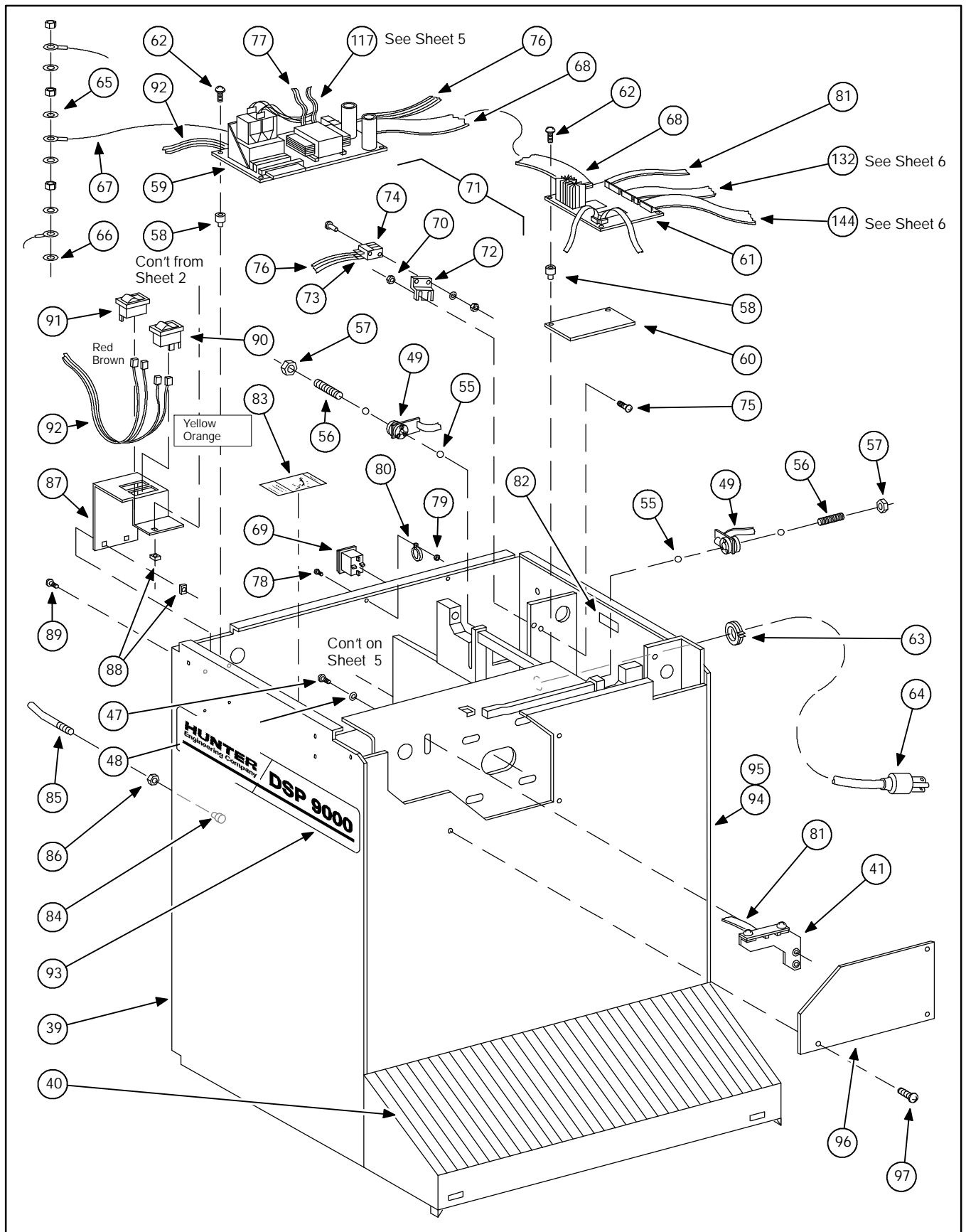


DSP 9000 WHEEL BALANCER
MODELS 9001, 9002, 9003
SEE REVERSE SIDE FOR PARTS DESCRIPTION LISTING

PARTS DESCRIPTION LISTING

INDEX NO.	PART NUMBER	DESCRIPTION	QTY. PER ASS'Y
12	.. 97-267-2	WHEEL COVER SHAFT ASSEMBLY	1
13	.. 98-238-2	WHEEL COVER TORSION SPRING	1
14	.. 74-14-2	HHCS 3/8- 16x1 1/4 ZP	1
15	.. 74-81-2	HHCS 3/8- 16X2 GR5 ZP	2
16	.. 77-145-2	WASHER 3/8 SPECIAL	3
17	.. 76-18-2	NUT, GRIP 3/8- 16	1
18	.. 228-18-2	BUMPER STOP	2
19	.. 75-35-2	RHMS 10- 32x5/8	2
20	.. 76-61-2	NUT, KEPS 10- 32	2
21	.. 74-304-2	RHMS 5/16- 18x1.25 LG	1
22	.. 76-177-2	NUT, KEPS 5/16- 18	1
23	.. 103-51-1	MANUAL DATA SET ASSEMBLY (Consisting Of.)	1
24 103-63-1	SUPPORT ASSEMBLY, DATA SET	1
25	NOT FIELD REPLACEABLE	
26 97-268-2	SHAFT, DATA SET	1
27 103-52	ARM RADIUS, DATA SET	1
28 74-298-2	FHSCS 5/16- 18x5/8 ZP	2
29 128-334-2	DECAL, DATA SET	2
30 98-270-2	SPRING, SHAFT RETURN	1
31 77-183-2	WASHER FLAT 3/4ID SPECIAL	1
32 112-63-2	SNAP RING TRUARC 5100- 75	1
33 176-34-2	LOCATOR, DATA SET	1
34 76-43-2	NUT, HEX 7/16- 14	1
35 124-102-2	O- RING #2- 208	1
36	.. 75-312-2	THMS 10- 32x1/2 PR BO	3
37	.. 76-61-2	NUT, KEPS 10- 32	3
38	.. 77-11-2	WASHER, LOCK 10 INT TOOTH	2

*nnn - Paint Code Required

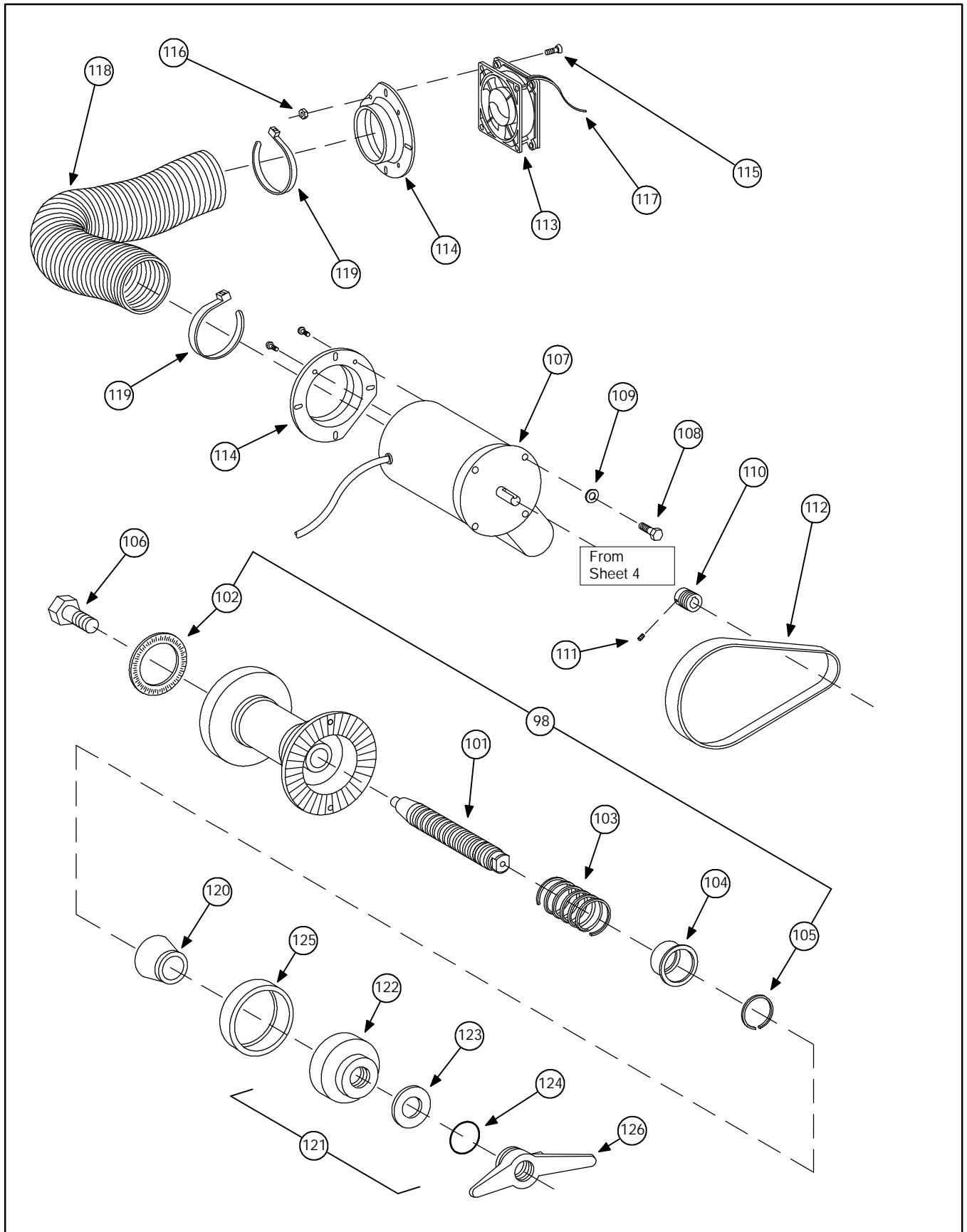


DSP 9000 WHEEL BALANCER
MODELS 9001, 9002, 9003
SEE REVERSE SIDE FOR PARTS DESCRIPTION LISTING

PARTS DESCRIPTION LISTING

INDEX NO.	PART NUMBER	DESCRIPTION	QTY. PER ASS'Y
39	.. 72-196-1-nnn	BASE WELDMENT	1
40	.. 64-91-1	FOOT PAD ASSEMBLY	1
	.. 113-59-2	2" CABLE BUSHING (Not Illustrated)	6
41	.. 181-35-1	SPINDLE ENCODER BRACKET ASSEMBLY	1
42	NOT FIELD REPLACEABLE	
43	NOT FIELD REPLACEABLE	
44	NOT FIELD REPLACEABLE	
45	NOT FIELD REPLACEABLE	
46	NOT FIELD REPLACEABLE	
47	.. 75-35-2	RHMS 10- 32x5/8 PR ZP	2
48	.. 77-45-2	WASHER FLAT 3/16 ZP	2
49	.. 109-59-1	FORCE TRANSDUCER ASSEMBLY	2
50	NOT FIELD REPLACEABLE	
51	NOT FIELD REPLACEABLE	
51a	NOT FIELD REPLACEABLE	
52	NOT FIELD REPLACEABLE	
53	NOT FIELD REPLACEABLE	
54	NOT FIELD REPLACEABLE	
55	.. 130-60-2	CERAMIC BALL, 7/16" DIA.	4
56	.. 74-302-2	SSS 1/2- 20x2 CUP PT BO	2
57	.. 76-128-2	NUT, JAM 1/2- 20 ZP	2
58	.. 46-318-2	SPACER, CIRCUIT BOARD	9
59	.. 45-565-1	230V/1- PH. POWER BOARD (DSP 9002)	1
	or 45-589-1	115V/1- PH. POWER BOARD (DSP 9001)	1
	or 45-591-1	230V/3- PH. POWER BOARD (DSP 9003)	1
60	.. 47-49-2	DSP BOARD INSULATOR	1
61	.. 45-559-1	DSP BOARD	1
62	.. 75-113-2	PHSMS 8x3/4 PR TPB ZP	9
63	.. 12-27-2	1/2" CABLE CLAMP	1
64	.. 38-642-1	230V/1- PH. POWER CORD (DSP 9002)	1
	or 38-640-1	115V/1- PH. POWER CORD (DSP 9001)	1
	or 38-688-1	230V/3- PH. POWER CORD (DSP 9003)	1
65	.. 76-11-2	NUT, HEX 10- 32	3
66	.. 77-11-2	WASHER SHAKEPROOF 10	6
67	.. 37-284-1	6" GROUND WIRE ASSEMBLY	1
68	.. 38-625-1	DC POWER CABLE ASSEMBLY	1
69	.. 18-270-2	ON/OFF SWITCH	1
70	.. 76-84-2	NUT, KEPS 6- 32 ZP	2
71	.. 18-325-1	HOOD SWITCH ASSEMBLY (Consisting Of:)	1
72	14- 282	1
73	18- 139- 2	2
74	18- 293- 2	1
75	.. 75-49-2	RHMS 6- 32x1/2	2
76	.. 38-631-1	HOOD SWITCH CABLE ASSEMBLY	1
77	.. 38-498-1	POWER SWITCH CABLE ASSEMBLY	1
78	.. 75-312-2	THMS 10- 32x1/2 PR BO	2
79	.. 76-61-2	NUT, KEPS 10- 32	2
80	.. 94-15-2	CABLE TIE	2
81	.. 38-627-1	CABLE ASSEMBLY, SPINDLE ENCODER	1
82	.. 128-270-2	WARNING DECAL, SPRING BOLT	1
83	.. 128-343-2	WARNING DECAL, ELECTRIC SHOCK	1
84	.. 76-260-2	NUT, INSERT 3/8- 16	4
85	.. 63-85-2	HOOK ROD	4
86	.. 76-159-2	NUT, KEPS 3/8- 16	4
87	.. 14-562	BRACKET, START/STOP SWITCH	1
88	.. 76-190-2	NUT, CAGE 10- 32	3
89	.. 75-312-2	THMS 10- 32x1/2 PR BO	2
90	.. 18-314-2	START SWITCH, GREEN (RIGHT)	1
91	.. 18-315-2	STOP SWITCH, RED (LEFT)	1
92	.. 38-630-1	CABLE ASSEMBLY, START/STOP SWITCH	1
93	.. 128-342-2	DECAL, HUNTER DSP 9000	1
94	.. 24-54-2	DECAL, PATENT LABEL	1
95	.. 24-51-2	DECAL, NAMEPLATE	1
96	.. 69-686-nnn	SPINDLE DRIVE BELT COVER	1
97	.. 75-401-2	THSMS 10x1/2 TPA BO	3

*nnn - Paint Code Required

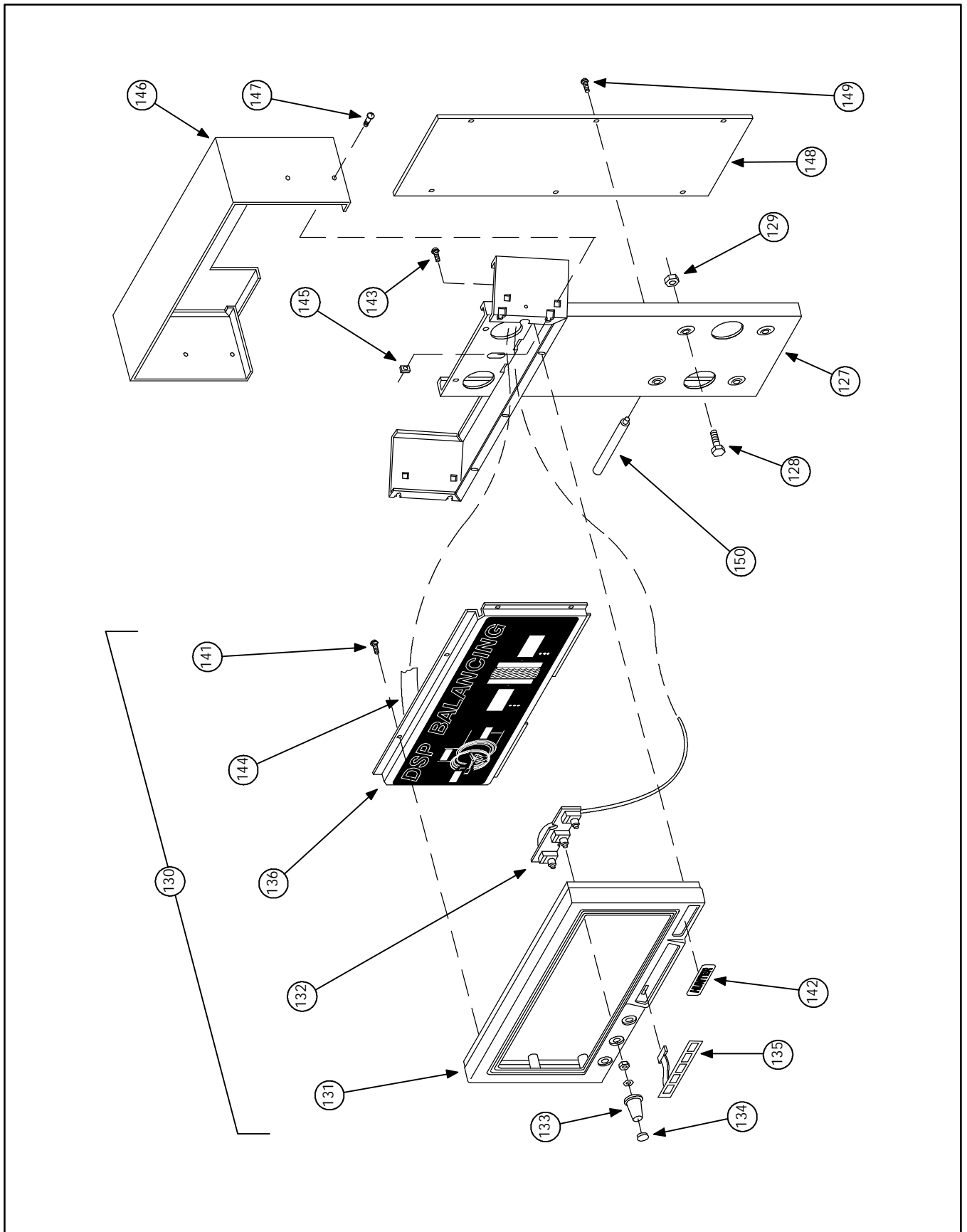


DSP 9000 WHEEL BALANCER
MODELS 9001, 9002, 9003
SEE REVERSE SIDE FOR PARTS DESCRIPTION LISTING

PARTS DESCRIPTION LISTING

INDEX NO.	PART NUMBER	DESCRIPTION	QTY. PER ASS'Y
98	.. 97-301-1	SHAFT ASSEMBLY, SPINDLE 2-START (Field Replace)	1
101	.. 97-274-2	SHAFT, 2-START THREADED	1
102	.. 20-976-1	KIT, ENCODER RING	1
103	.. 98-272-2	SPRING, CONE	1
104	.. 104-79-2	GUIDE, SPRING BALANCER	1
105	.. 112-65-2	SNAP RING, SMALLEY #WS-212	1
106	.. 74-297-2	HHCS 1-1/4 UNFx1.75 GRADE 5	1
107	.. 129-174-2	DRIVE MOTOR 115/230V 1-PHASE 60HZ (DSP9001, 9002)	1
	or 129-177-2	DRIVE MOTOR 230V 3-PHASE 60HZ (DSP9003)	1
108	.. 74-25-2	HHCS 3/8- 16x1 ZP	4
109	.. 77-66-2	WASHER, FLAT 3/8 ZP	4
110	.. 107-90-2	DRIVE PULLEY	1
111	.. 75-411-2	SSS 1/4- 20x5/16 CUP PT	2
112	.. 126-37-2	DRIVE BELT	1
113	.. 129-176-2	230V FAN	1
	or 129-175-2	115V FAN	1
114	.. 175-133-2	ADAPTOR, DUCT	2
115	.. 75-395-2	PHMS 6- 32x2 ZP	4
116	.. 76-84-2	NUT, KEPS 6- 32 ZP	4
117	.. 38-638-1	FAN CABLE ASSEMBLY	1
118	.. 137-81-2	COOLING DUCT HOSE	1
119	.. 94-14-2	WIRE TIE	2
120	.. 192-37-2	CONE, CENTERING PASSENGER	1
121	.. 175-135-1	CLAMPING CUP ASSEMBLY 4.5 INCH (Consisting Of:)	1
122	.. 175-134-2	CLAMPING CUP	1
123	.. 77-137-2	WASHER, CLAMPING CUP	1
124	.. 124-79-2	O-RING	1
125	.. 106-54-2	SCRATCH GUARD SLEEVE 4.5 INCH	1
126	.. 76-255-2	NUT, WING 2-START	1
	20-842-1	KIT, DSP 9000 BALANCER ACCESSORY (Includes:)	1
	.. 46-320-2	SPACER, SPINDLE SHAFT (Not Illustrated)	1
	.. 192-36-2	CONE, CENTERING PASSENGER (Not Illustrated)	1
	.. 192-38-2	CONE, CENTERING PASSENGER (Not Illustrated)	1
	.. 192-39-2	CONE, CENTERING TRUCK (Not Illustrated)	1
	.. 221-563-1	TOOL ASSEMBLY, RIM WIDTH CALIPERS (Not Illustrated)	1
	.. 221-540-2	TOOL, WEIGHT HAMMER/PLIERS (Not Illustrated)	1

*nnn - Paint Code Required



**DSP 9000 WHEEL BALANCER
MODELS 9001, 9002, 9003**

SEE REVERSE SIDE FOR PARTS DESCRIPTION LISTING

PARTS DESCRIPTION LISTING

INDEX NO.	PART NUMBER	DESCRIPTION	QTY. PER ASS'Y
127	.. 72-200-1	CONSOLE BASE WELDMENT	1
128	.. 75-40-2	HHCS 1/4- 20x5/8	4
129	.. 76-17-2	NUT, GRIP 1/4- 20	4
130	.. 149-179-1	BEZEL FRAME ASSEMBLY (Consisting Of:)	1
131 149-175-2	BEZEL, DSP BALANCER	1
132 45-583-1	P.C. ASSEMBLY, DSP9000 KNOBS	1
133 34-86-2	KNOB, COLLET	3
134 34-87-2	KNOB, CAP	3
135 18-318-2	SWITCH, BALANCER	1
136 227-44-1	DISPLAY ASSEMBLY, BALANCER LED (Field Replace)	1
141 75-60-2	PHSMS 8x1/2	8
142 24-56-2	NAMEPLATE, HUNTER	1
143	.. 75-60-2	PHSMS 8x1/2	7
144	.. 38-624-1	DISPLAY CABLE ASSEMBLY	1
145	.. 76-249-2	NUT, CAGE 10- 32 10 GA	4
146	.. 69-683-1	CONSOLE COVER ASSEMBLY	1
147	.. 75-312-2	THMS 10- 32x1/2 PR BO	4
148	.. 69-681	SUPPORT, CONSOLE COVER	1
149	.. 75-401-2	THSMS 10x3/8 BO	6
	20-842-1	KIT, DSP 9000 BALANCER ACCESSORY (Includes:)	REF
150	.. 65-72-2	WEIGHT, CALIBRATION	1

*nnn - Paint Code Required



11250 HUNTER DRIVE · BRIDGETON · MISSOURI 63044