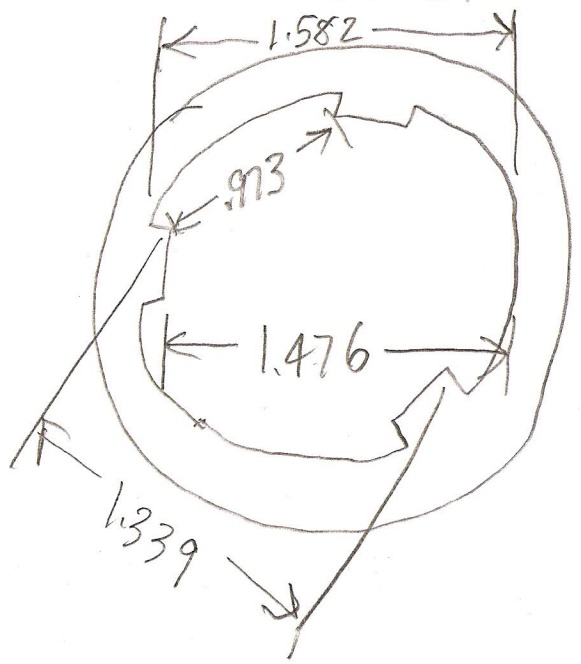
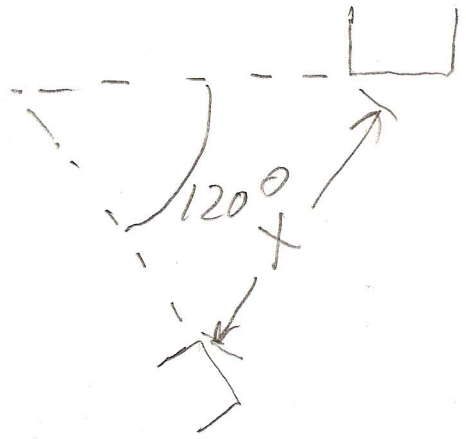
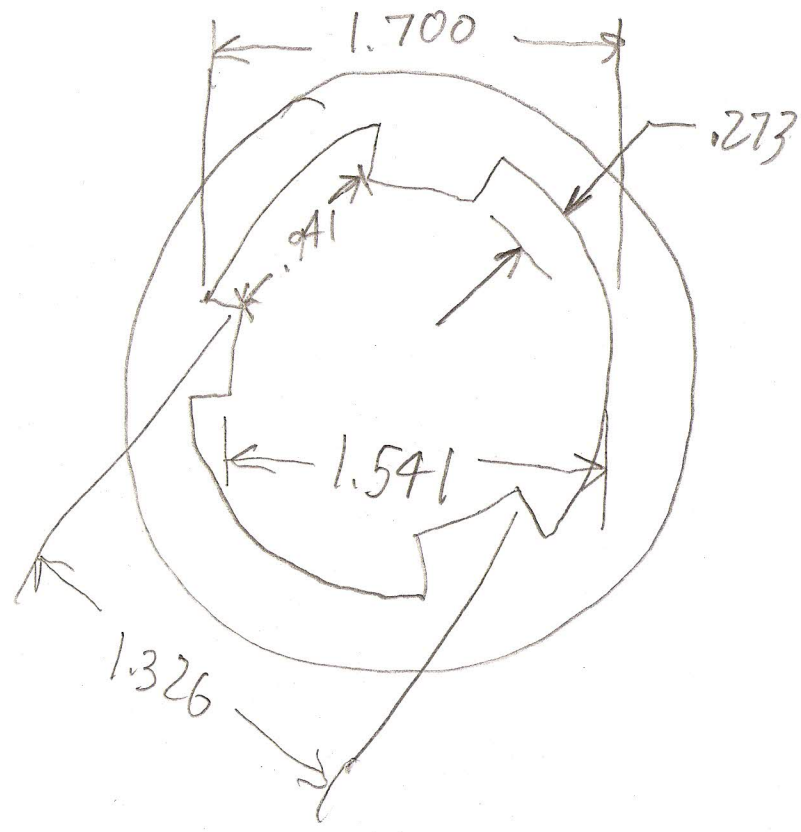


2005 DODGE
 2500 DIESEL
 HYDRO BOOST



MVA 80 Z



$x = .941$ (need .973)
 .956 WORKS (SMOG)

.273 became
 .27φ
 .267
 .264